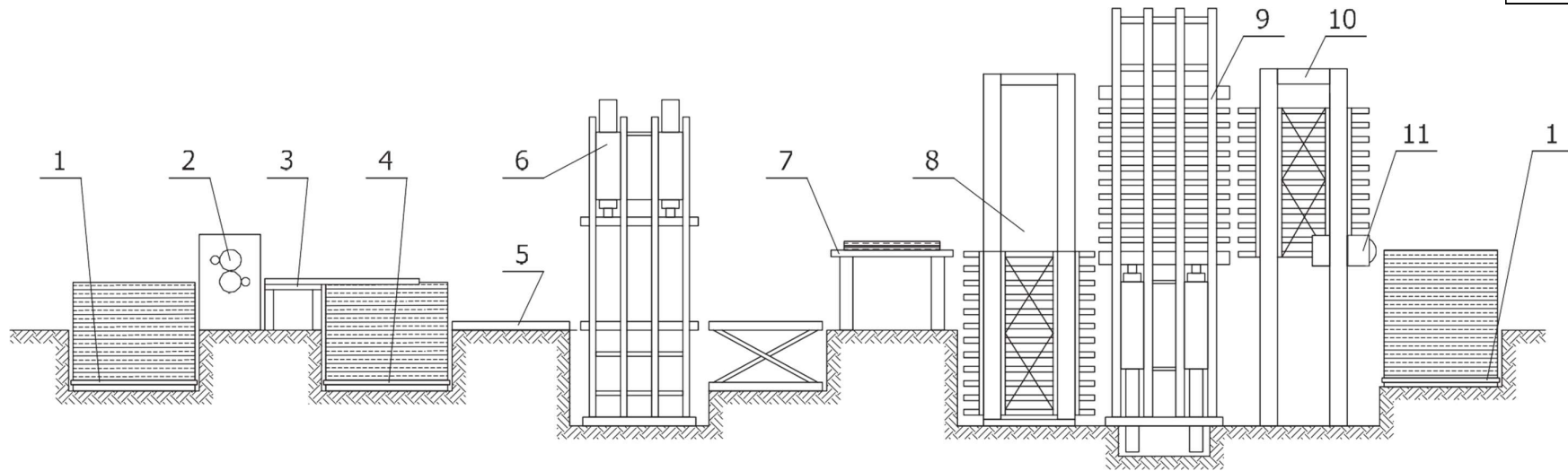




PLYWOOD PRODUCTION PLANT

41.23/10.4.1



1. Lifting table
2. Device for glue spreading
3. Disc conveyor
4. Stacking table
5. Input conveyor
6. Cold pre-press
7. Charging conveyor
8. System for charging of multiple daylight opening press
9. Multiple daylight opening warm press
10. System for discharging of multiple daylight opening press
11. Output conveyor

Purpose: Production of plywood made of veneer

Main technical characteristics:

Heating plate size	2700 x 1700 mm	On request
Size of finished panels	2600 x 1600 mm	
Specific pressure	max 240 N/cm ²	
...	...	